

ROD SEAL – Rod Cup

PROFILES

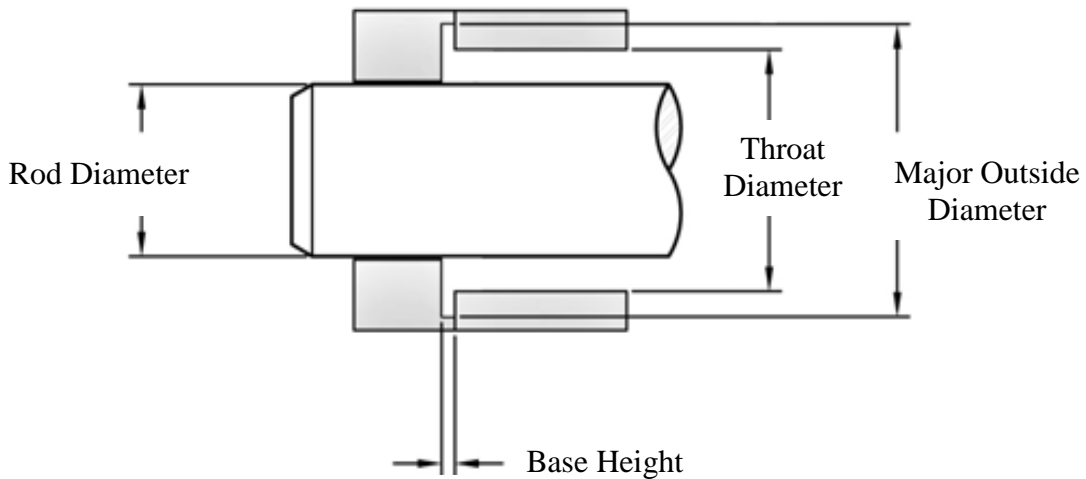


DS 116



DS 216

TECHNICAL INFORMATION



RFQ/Ordering Information *(Print this sheet & fax to the number below)*

Qty: _____ Profile # From Above: _____ Material: _____

Rod Diameter: _____ Base Height: _____

Major Outside Diameter: _____ Company Name: _____

Throat Diameter: _____ Contact: _____

Ph: _____ Fax: _____

